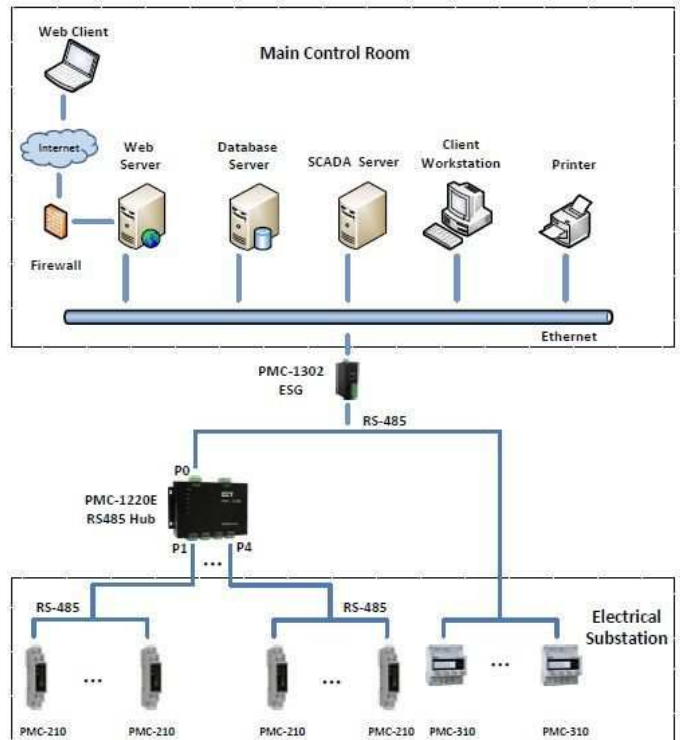


Typical Application



Overview

The PMC-1220E is an Industrial RS485 hub with one upstream port and four downstream ports. Not only can the PMC-1220E be used to increase the number of RS485 nodes beyond the 32 limit, it can also be used to simplify the wiring for a RS-485 network by splitting a long segment into four individual shorter segments, thus reducing labor and material costs while expanding the coverage area. Each RS485 port is optically isolated to protect the connected devices from electrical surges as a result of lightning or other electrical faults.

Features

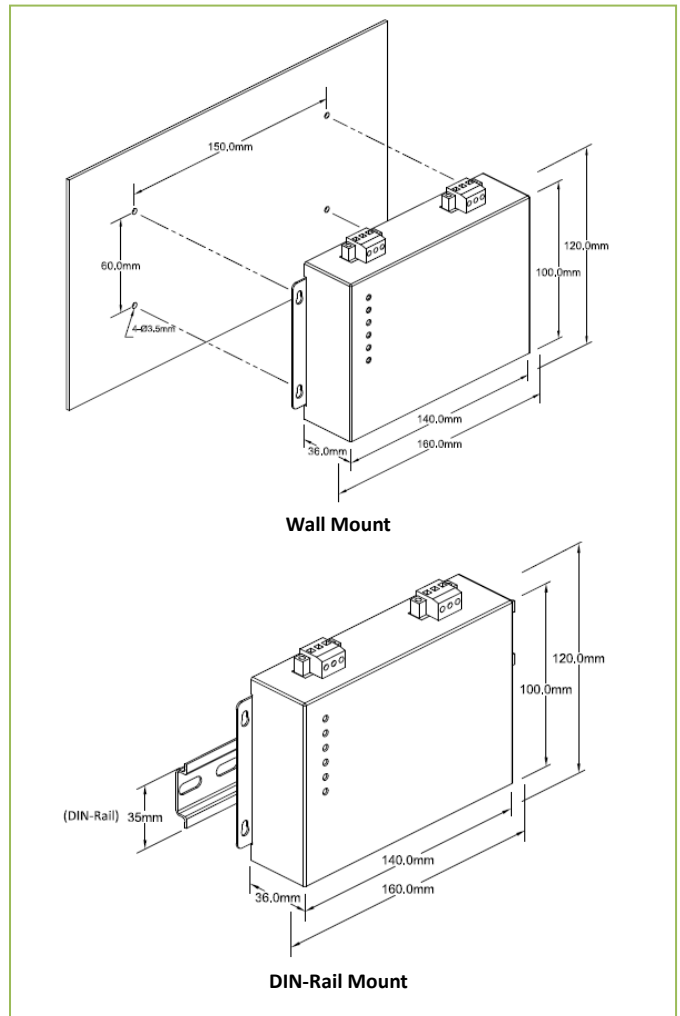
- One upstream RS485 port and four downstream RS485 ports
- 15kV ESD protection
- 3kV isolation protection for all RS485 signals
- Dip-switch selectable baud rates from 1,200 to 38,400 bps
- < 1 μ s transmission delay between upstream and downstream ports
- Built-in termination resistor for each port
- Short-circuit protection on the RS485 bus
- Metal enclosure
- DIN-Rail and Wall Mount
- Extended operating temperature

Appearance



- 1 Power Supply Terminal
- 2 P0 - RS485 Port
- 3 Power Supply Indicator
- 4 P0 Indicator
- 5 P1 Indicator
- 6 P2 Indicator
- 7 P3 Indicator
- 8 P4 Indicator
- 9 Chassis Ground
- 10 P1 - RS485 Port
- 11 P2 - RS485 Port
- 12 P3 - RS485 Port
- 13 P4 - RS485 Port

Dimensions and Installation



Technical Specifications

Serial Ports (P0, P1, P2, P3, P4)	
Standard	RS485
Baud rate	1,200 to 38,400bps
Front Panel LED Indicators	
PWR (Red)	Supply power indicator
P0 (Green)	Upstream RS485 activities on Port 0
P1 (Green)	Downstream RS485 activities on Port 1
P2 (Green)	Downstream RS485 activities on Port 2
P3 (Green)	Downstream RS485 activities on Port 3
P4 (Green)	Downstream RS485 activities on Port 4
Power Supply (L/+, N/-)	
Standard	95-250VAC/DC, 47-440Hz
Burden	<3W
Protection	
ESD Protection	15kV for all signals
Isolation Protection	3kV for all RS485 signals
Environmental Conditions	
Operating Temp.	-25°C to +70°C
Storage Temp.	-40°C to +85°C
Humidity	5% to 95% non-condensing
Atmospheric pressure	70 kPa to 108kPa
Mechanical Characteristics	
Casing	Galvanized Iron
Unit Dimensions	36x120x140mm
Shipping Weight	0.752kg
Shipping Dimensions	70x185x145mm
Mounting	DIN-Rail and Wall Mounting
IP Rating	30



Standard of Compliance

Safety Requirements			
Insulation	IEC 60255-5-2000		
Dielectric Test	2kV @ 1 minute		
Insulation Resistance	>100MΩ		
Impulse Voltage	5kV		
Electromagnetic Compatibility			
Electrostatic Discharge	IEC 61000-4-2:2008 Level III		
Radiated Fields	IEC 61000-4-3:2008 Level III		
Fast Transients	IEC 61000-4-4:2004 Level III		
Surges	IEC 61000-4-5:2005 Level III		
Conducted Disturbances	IEC 61000-4-6:2008 Level IV		
Magnetic Fields	IEC 61000-4-8:2009 Level IV		
Oscillatory Waves	IEC61000-4-12:2006 Level III		
Mechanical Tests			
Vibration Test	Response	IEC 255-21-1:1988	Level I
	Endurance	IEC 255-21-1:1988	Level I
Shock Test	Response	IEC 255-21-2:1988	Level I
	Endurance	IEC 255-21-2:1988	Level I
Bump Test	IEC 255-21-2:1988		Level I

Ordering Information

Product Code	Description
PMC-1220E Industrial RS-485 Hub	
Power Supply	
2	95-250VAC/DC,47-440Hz
Input Port	
1	1xRS-485
Output Port	
4	4xRS-485
Interface Language	
E	English
PMC-1220E - 2 - 1 - 4 - E	PMC-1220E-2-1-4-E (Standard Model)

Your Local Representative

CETA Australia Pty Ltd
 38b Douglas Street, Milton QLD 4064
 P.O. Box 1486, Milton QLD 4064
 t: +61 7 3535 9600
 f: +61 7 3535 9601
 e: sales@cetameter.com
 cetameter.com

Revision Date: January 11, 2013