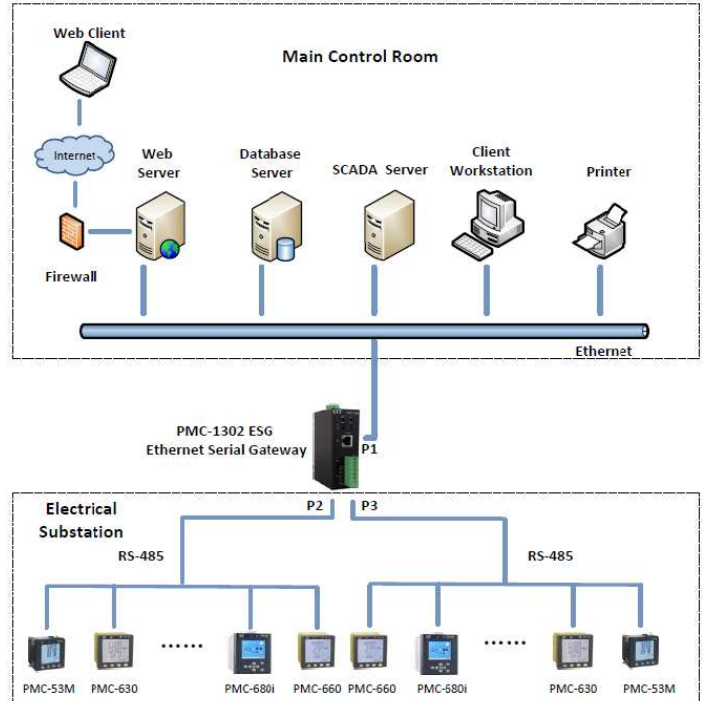




Typical Application



Overview

The PMC-1302 ESG is an Industrial Ethernet Serial Gateway which provides one 10/100BaseT Ethernet port, one RS-485 port and one RS-485/RS-422 port. It is the ideal equipment for connecting RS-485 or RS-422 enabled serial devices to an IP-based Ethernet LAN, making it possible to access serial devices over your Ethernet network for any SCADA or Automation applications. The PMC-1302 has been specifically designed with industrial automation in mind and therefore provides un-surpassed performance and reliability under the harshest industrial or commercial environments.

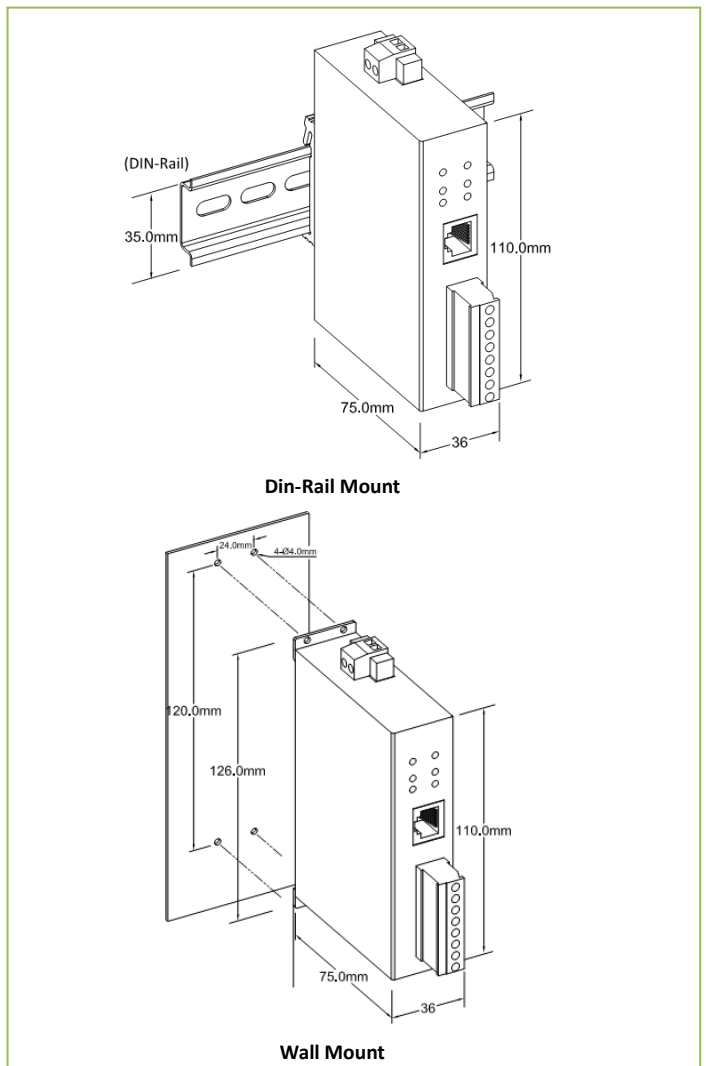
Features

- 1x10/100BaseT, 1xRS-485 port and 1xRS-485/RS-422 port
- 8 kV ESD protection
- 1.5 kV isolation protection for Ethernet port
- 3kV isolation protection for RS-485 and RS-422
- Simple configuration via its built-in web interface
- DIN-Rail or Wall Mount
- Extended operating temperature

Applications

The PMC-1302 ESG supports the efficient transfer of serial packets between the upstream network-based applications and the downstream RS485/RS-422 serial devices via a TCP/IP connection. Instead of using a Windows based "Virtual COM" driver with a port-mapping utility, which is often plagued with driver incompatibility among the many different Windows versions, the PMC-1302 ESG allows applications to directly connect to it via a TCP/IP connection for the transfer of serial packets inside TCP/IP frames to and from downstream serial devices. Perfectly suited for communicating with industrial devices that have timing sensitive protocols, the PMC-1302 ESG provides a reliable interface which allows SCADA or similar applications that already support direct connection with Ethernet Gateway to communicate with serial devices independent of the serial protocol used.

Dimensions and Installation



10/100BaseT Ethernet Port (P1)	
Speed	10/100 Mbps
Connector	RJ45
Cable	CAT5, CAT5e with a maximum 100m distance
Serial Ports (P2, P3)	
P2	RS-485 (D+, D- SH)
P3	RS-485 (D+, D- SH) / RS-422 (Tx+, Rx+, Tx-, Rx-, SH)
Front Panel LED Indicators	
Run (Green)	Blinking - System is running normally
P1 (Yellow)	On - Ethernet network connection Blinking - Network activity indication
P2, P3 - Rx (Green)	Blinking - Receiving activity
P2, P3 - Tx (Yellow)	Blinking - Transmitting activity
Protocol	
Protocol	TCP, UDP, HTTP
Power Supply (L/+, N/-)	
Standard	95-250VAC/DC, 47-440Hz
Burden	<3W
Protection	
ESD Protection	8kV
Isolation Protection	3kV for RS485 and RS422 1.5kV for Ethernet Port
Environmental Conditions	
Operating Temp.	-25°C to +70°C
Storage Temp.	-40°C to +85°C
Humidity	5% to 95% non-condensing
Atmospheric pressure	70 kPa to 110kPa
Mechanical Characteristics	
Casing	Galvanized Iron
Unit Dimensions	36x110x75mm
Shipping Weight	0.6kg
Shipping Dimensions	105x130x95mm
Mounting	DIN-Rail and Wall Mounting
IP Rating	30



CETA Australia Pty Ltd
 38b Douglas Street, Milton QLD 4064
 P.O. Box 1486, Milton QLD 4064
 t: +61 7 3535 9600
 f: +61 7 3535 9601
 e: sales@cetameter.com
 cetameter.com

Standard of Compliance

Safety Requirements			
Insulation		IEC 60255-5-2000	
Dielectric Test		2kV @ 1 minute	
Insulation Resistance		>100MΩ	
Impulse Voltage		5kV	
Electromagnetic Compatibility			
Electrostatic Discharge		IEC 61000-4-2:2008 Level IV	
Radiated Fields		IEC 61000-4-3:2008 Level III	
Fast Transients		IEC 61000-4-4:2004 Level IV	
Surges		IEC 61000-4-5:2005 Level IV	
Conducted Disturbances		IEC 61000-4-6:2008 Level III	
Magnetic Fields		IEC 61000-4-8:2009 Level IV	
Oscillatory waves		IEC 61000-4-12:2006 Level III	
Mechanical Tests			
Vibration Test	Response	IEC 255-21-1:1988	Level I
	Endurance	IEC 255-21-1:1988	Level I
Shock Test	Response	IEC 255-21-2:1988	Level I
	Endurance	IEC 255-21-2:1988	Level I
Bump Test		IEC 255-21-2:1988	Level I

Ordering Information

Product Code	Description
PMC-1302	Industrial Ethernet Serial Gateway
	Power Supply
2	95-250VAC/VDC, 47-440Hz
	Ethernet Port (P1)
T1	1x10/100BaseT, RJ45 connector
	Serial Port (P2, P3)
1	1xRS-485 and 1xRS-485/422
	Interface Language
E	English
PMC-1302 - 2 - T1 - 1 - E	PMC-1302-2-T1-1-E (Standard Model)

Your Local Representative

Revision Date: June 18, 2012