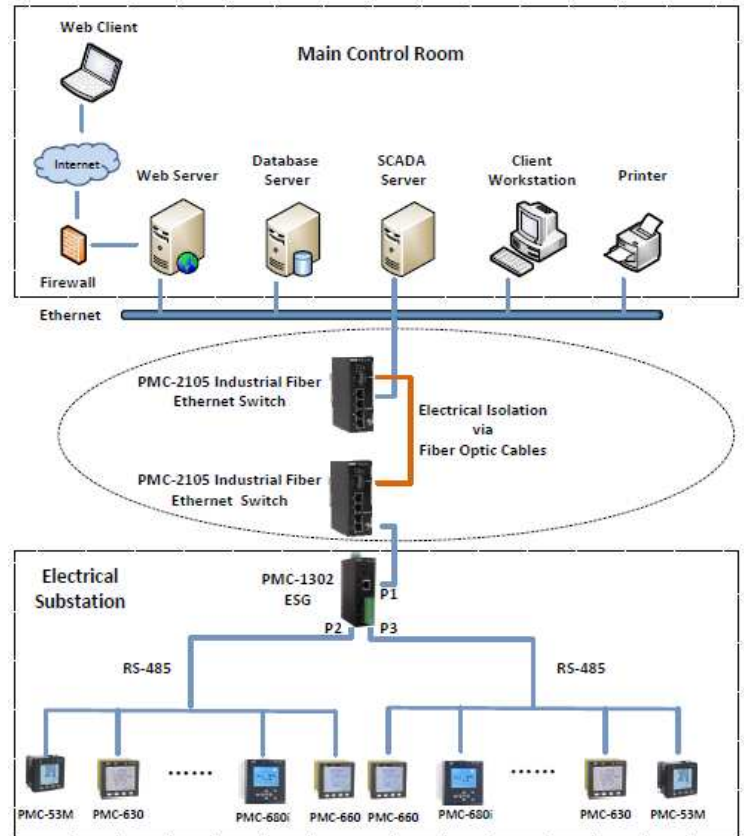




## Typical Application



## Overview

The PMC-2105 Industrial Fiber Ethernet Switch supports plug-and-play capability with a single 100BaseFX fiber port and four 10/100BaseT ports. The PMC-2105 has been designed specifically with industrial automation in mind and therefore provides un-surpassed performance and reliability under the harshest industrial or commercial environments.

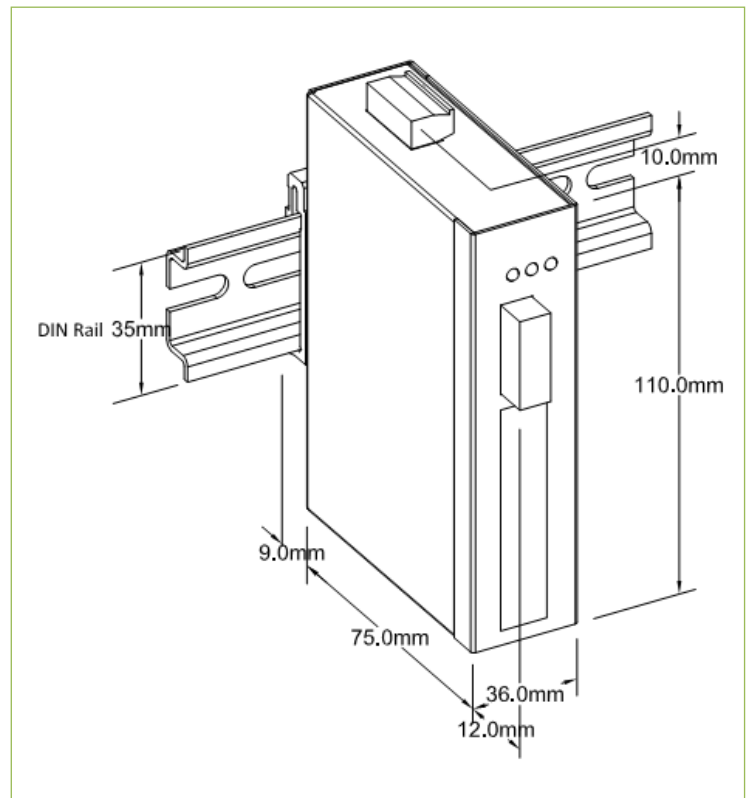
## Features

- One 100BaseFX Fiber Ethernet Port supporting Full-Duplex operation
- Four auto-sensing 10/100BaseT Ethernet ports
- Compliance with IEEE802.3 and IEEE802.3u standards
- Act, Link and PWR LED Status Indicators
- 1kB MAC Address Table Size and 1MB Cache Buffer
- Plug and Play
- Standard DIN-Rail Mount
- 6kV ESD protection
- 1.5kV isolation protection for Ethernet ports
- Extended operating temperature

## Applications

- Fiber Ethernet conversion with integrated 4-port switch
- Extend Ethernet segment up to 60km
- Provide electrical isolation for substation, industrial, factory and building automation

## Dimensions and Installation



**Technical Specifications**

Standards	
IEEE	802.3, 802.3u
Ethernet Interface	
Fiber Port	1x100BaseFX with ST connectors
Ethernet Port	4x10/100BaseT with RJ45 connectors
Cable	
10/100BaseT	CAT5, CAT5e with a maximum 100m distance
Multi-Mode Fiber	Supporting a distance of 2km
Wavelength, Size	1310nm, 62.5/125 μm and 50/125μm
Single-Mode Fiber	Supporting a distance of 20km / 60km
Wavelength, Size	1310nm, 9/125 μm
Front Panel LED Indicators	
PWR (Red)	Power supply indicator
Link (Green)	Fiber port connection status
Act (Yellow)	Fiber port activities
Power Supply (L+, N-)	
Standard	95-250VAC/DC, 47-440Hz
Optional	9-30VDC@ 200mA
Burden	<3W
Protection	
ESD Protection	6kV
Isolation Protection	1.5kV for Ethernet Ports
Environmental Conditions	
Operating Temp.	-25°C to +70°C
Storage Temp.	-40°C to +85°C
Humidity	0% to 95% non-condensing
Mechanical Characteristics	
Casing	Galvanized Iron
Dimensions (WxHxD)	36x110x75 mm (1.42"x4.33"x2.95")
Weight	0.4 kg
Mounting	DIN-Rail Mount
IP Rating	30


**Standards of Compliance**

Safety Requirements		
Insulation	IEC 60255-5-2000	
Dielectric Test	2kV@1minute	
Insulation Resistance	100MΩ	
Impulse Voltage	5kV, 1.2/50us	
Electromagnetic Compatibility		
Electrostatic Discharge	IEC 61000-4-2:2001 Level III	
Radiated Fields	IEC 61000-4-3:2002 10V/m	
Fast Transients	IEC 61000-4-4:2004 Level III	
Surges	IEC 61000-4-5:2005 Level III	
Conducted Disturbances	IEC 61000-4-6:2006 Level III	
Magnetic Fields	IEC 61000-4-8:2001 Level IV	
Oscillatory Waves	IEC 61000-4-12:1995 Level III	
Mechanical Tests		
Vibration Test	Response	IEC 255-21-1:1988 Level I
	Endurance	IEC 255-21-1:1988 Level I
Shock Test	Response	IEC 255-21-2:1988 Level I
	Endurance	IEC 255-21-2:1988 Level I
Bump Test	IEC 255-21-2:1988 Level I	

**Ordering Information**

Product Code	Description								
PMC-2105 Industrial Fiber Ethernet Switch									
<table border="1"> <thead> <tr> <th colspan="2">Power Supply</th> </tr> </thead> <tbody> <tr> <td>2</td> <td>95-250VAC/VDC, 47-440Hz</td> </tr> <tr> <td>A</td> <td>9-30VDC</td> </tr> </tbody> </table>		Power Supply		2	95-250VAC/VDC, 47-440Hz	A	9-30VDC		
Power Supply									
2	95-250VAC/VDC, 47-440Hz								
A	9-30VDC								
<table border="1"> <thead> <tr> <th colspan="2">Fiber Connector</th> </tr> </thead> <tbody> <tr> <td>ST</td> <td>ST Connector</td> </tr> </tbody> </table>		Fiber Connector		ST	ST Connector				
Fiber Connector									
ST	ST Connector								
<table border="1"> <thead> <tr> <th colspan="2">Fiber Port</th> </tr> </thead> <tbody> <tr> <td>M002</td> <td>Multi-mode, 2km</td> </tr> <tr> <td>S020</td> <td>Single-mode, 20km</td> </tr> <tr> <td>S060</td> <td>Single-mode, 60km</td> </tr> </tbody> </table>		Fiber Port		M002	Multi-mode, 2km	S020	Single-mode, 20km	S060	Single-mode, 60km
Fiber Port									
M002	Multi-mode, 2km								
S020	Single-mode, 20km								
S060	Single-mode, 60km								
PMC-2105 - 2 - ST - M002	PMC-2105-2-ST-M002 ( Standard Model)								

**Your Local Representative**

**CETA Australia Pty Ltd**  
 38b Douglas Street, Milton QLD 4064  
 P.O. Box 1486, Milton QLD 4064  
 t: +61 7 3535 9600  
 f: +61 7 3535 9601  
 e: sales@cetameter.com  
**cetameter.com**

Revision Date: June 18, 2012