



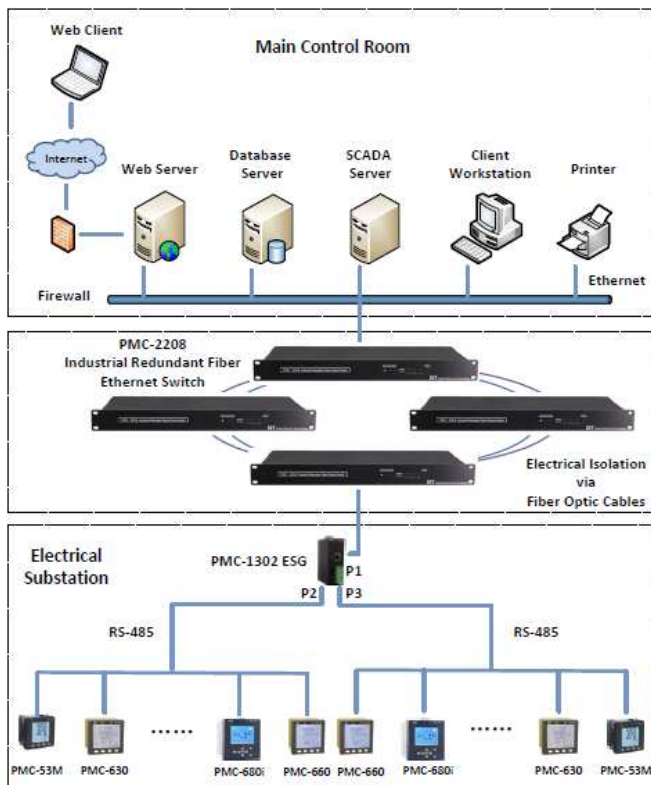
Overview

The PMC-2208 is an 8-port, managed, Industrial Redundant Fiber Ethernet Switch that supports two or four 100BaseFX Fiber Ethernet ports and six or four 100BaseT Ethernet ports. With the advanced SW-Ring technology with a recovery time of less than 20 ms, the PMC-2208 provides redundant ring with self-healing capability and increases the reliability of your network. In addition, the PMC-2208 provides advanced network management functions including QoS, VLAN, Port Trunking, Port Mirroring, Bandwidth Management and Alarming.

Features

- SW-Ring technology with < 20ms recovery time
- 8kV ESD and 1.5 kV isolation protection for Ethernet ports
- 2kB MAC address
- IGMP for filtering multicast traffic
- Port-based VLAN, IEEE 802.1Q VLAN to ease network planning
- QoS for the improvement of transmission accuracy
- Port Trunking for optimum bandwidth utilization
- Port mirroring for online debugging
- Bandwidth management to limit unpredictable network traffic
- Auto warning through relay output
- Easy configuration via its built-in web console
- Plug and play
- Standard 19-inch rack mount
- Extended operating temperature

Typical Application



Technical Specifications

100BaseFX Fiber Ethernet Ports (P1 to P2 or P1 to P4)	
Number of ports	2, 4 (optional)
Speed	100Mbps
Connector	ST
Single Mode Fiber	
Distance	20km / 60km
Wavelength, Size	1310nm, 9/125 μm
Multi Mode Fiber	
Distance	2km
Wavelength, Size	1310nm, 62.5/125 μm and 50/125μm
10/100BaseT Ethernet Ports (P3 to P8 or P5 to P8)	
Number of ports	6 or 4 (optional)
Connector	RJ45
Speed	10/100Mbps
Operation Mode	Half or Full Duplex
Connection Mode	MDI/MDI-X
Cable	CAT5, CAT5e with a maximum 100m distance
Console Port	
Type	RS-232 (DTE)
Connector	DB9 Female
Alarm Output	
Type	Form A Mechanical Relay
Loading	5A @ 250VAC or 30VDC
Front Panel LED Indicators	
Power Indicator (Green)	On - Power is applied
Run Indicator (Green)	Blinking - System is running normally
Alarm (Yellow)	On - Communications failure
10/100BaseT (Green)	On - 100M network connection
Link/Act (Green)	On - Specific port is connected Blinking - Network activity indication
Standards	
Standards	IEEE 802.3, IEEE 802.3u, IEEE 802.1p, IEEE 802.1Q VLAN, GVRP, IEEE802.1X
Flow Control	
Flow Control	IEEE 802.3x Full Duplex Flow Control
Power Supply (L+, N-)	
Standard	95 to 250VAC/DC, 47-440Hz
Burden	12W
10/100BaseT Ethernet Port Protection	
Isolation	1.5kV
ESD	8kV
Environmental Conditions	
Operating Temp.	-25°C to +70°C
Storage Temp.	-40°C to 85°C
Humidity	5% to 95% non-condensing
Atmospheric pressure	70 kPa to 110 kPa
Mechanical Characteristics	
Housing	Aluminum
Unit Dimensions	482x185x44.5mm
Shipping Weight	2.51kg
Shipping Dimensions	570x300x145mm

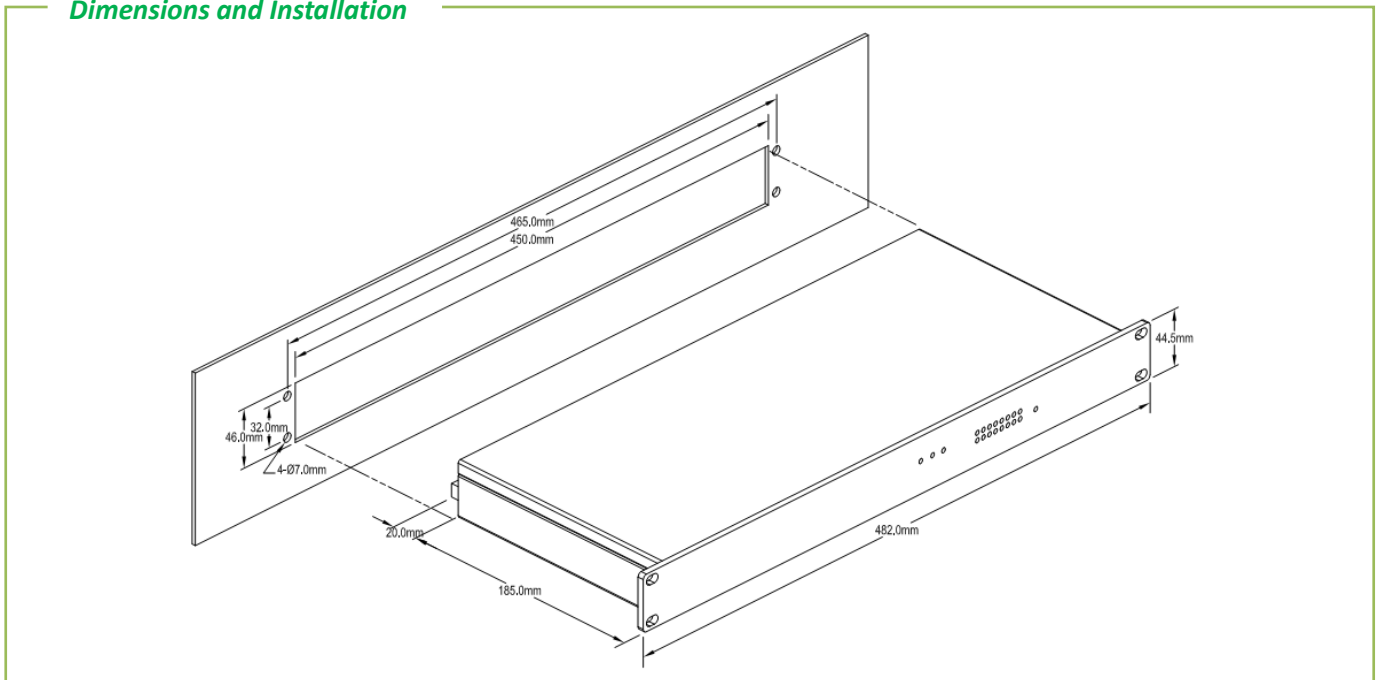
Standards of Compliance

Safety Requirements		
Insulation	IEC 60255-5-2000	
Dielectric Test	2kV @ 1 minute	
Insulation Resistance	>100MΩ	
Impulse Voltage	5kV	
Electromagnetic Compatibility		
Electrostatic Discharge	IEC 870-2-1:1995 Level IV	
Radiated Fields	IEC 61000-4-3:1998 Level III	
Fast Transients	IEC 61000-4-4:1995 Level IV	
Surges	IEC 61000-4-5:1995 Level III	
Conducted Disturbances	IEC 61000-4-6:1996 Level III	
Magnetic Fields	IEC 61000-4-8:1993 Class IV	
Mechanical Tests		
Vibration Test	Response	IEC 255-21-1:1988 Level I
	Endurance	IEC 255-21-1:1988 Level I
Shock Test	Response	IEC 255-21-2:1988 Level I
	Endurance	IEC 255-21-2:1988 Level I
Bump Test	IEC 255-21-2:1988 Level I	

Ordering Information

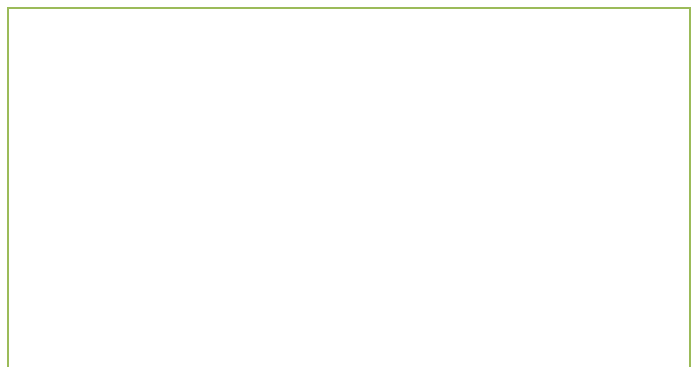
Product Code		Description
PMC-2208 Industrial Redundant Fiber Ethernet Switch		
Power Supply		
2	95-250VAC/VDC, 47-440Hz	
Fiber Connector		
ST		ST Connector
Ports		
F2T6	P1 to P2: 100BaseFX P3 to P8: 10/100BaseT	
F4T4	P1 to P4: 100BaseFX P5 to P8: 10/100BaseT	
Fiber Mode - Transmission Distance		
M002	Multi-mode, 2km	
S020	Single-mode, 20km	
S060	Single-mode, 60km	
Interface Language		
E	English	
PMC-2208 - 2 - ST - F2T6 - M002 - E PMC-2208-2-ST-F2T6-M002-E (Standard Model)		

Dimensions and Installation



CETA Australia Pty Ltd
 38b Douglas Street, Milton QLD 4064
 P.O. Box 1486, Milton QLD 4064
 t: +61 7 3535 9600
 f: +61 7 3535 9601
 e: sales@cetameter.com
cetameter.com

Your Local Representative



Revision Date: June 18, 2012