

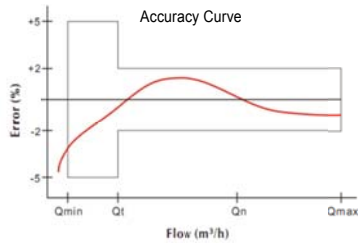
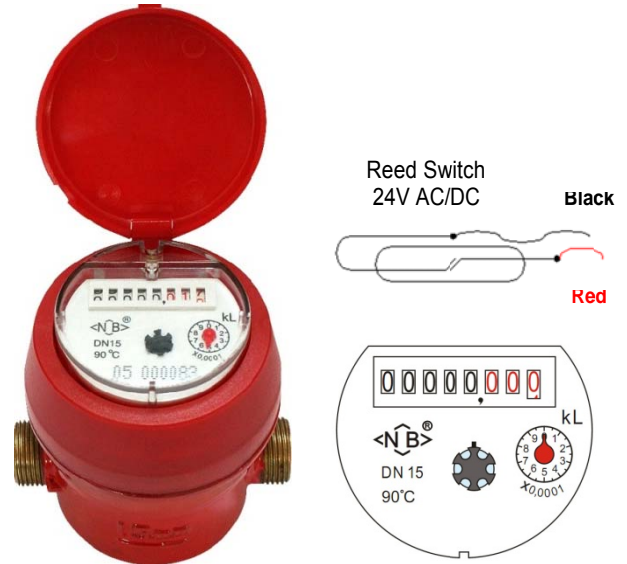


CETA Australia Pty Ltd
 38b Douglas Street, Milton QLD 4064
 P.O. Box 1486, Milton QLD 4064
 t: +61 7 3535 9600
 f: +61 7 3535 9601
 e: sales@cetameter.com
 cetameter.com

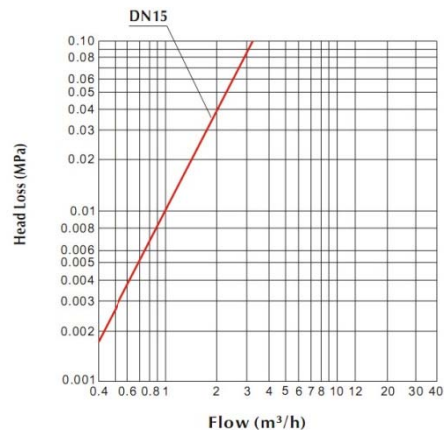
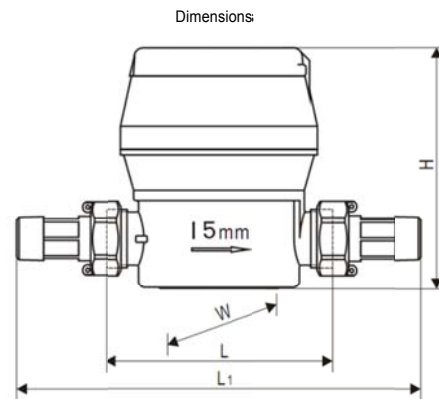
Volumetric - Hot Water Meter - [size 15mm]

- Tested in accordance with ISO 4064 Class C Standard
- Operation is volumetric piston displacement
- The body is constructed from Brass powder coated Heat resistant materials
- Measuring chamber design offers extreme accuracy over the entire flow range.
- Sealed dry dial register ensures clear display
- Magnetic shield, used for external magnetic field protection
- Pulse devices can be fitted without removing the meter Pulse value is 1 Pulse = 0.5 Litre
- Anti-tamper sealing for security
- Central Strainer
- Suited for hot potable water applications: $\leq 90^{\circ}\text{C}$
- Register can rotate not more than 360°C
- Installation can be horizontal, vertical up or inclined

MODEL WMVOL-H 15MM



Description	Units	Technical Data
Product	Code	WMVOL-H-15
Normal Size	mm	15
Maximum flow (Q 4)	m ³ /hr	3.0
Continuous flow (Q 3) *	m ³ /hr	1.5
Transitional flow (Q2)	l/h	22.5
Minimum flow (Q 1)	l/h	15
Minimum reading	l	0.00005
Maximum reading	m ³	99999.9995
Working pressure	Mpa	≤ 1.4
Pressure loss at (Q max)	Mpa	0.08
Overall Length (L1)	mm	199
Body Length (L)	mm	105
Width (W)	mm	91
Meter Height	mm	110
Temperature	$^{\circ}\text{C}$	90°C
Weight (with connectors)	Kg	1.38



* Indicates the size of the water meter based on flow rate